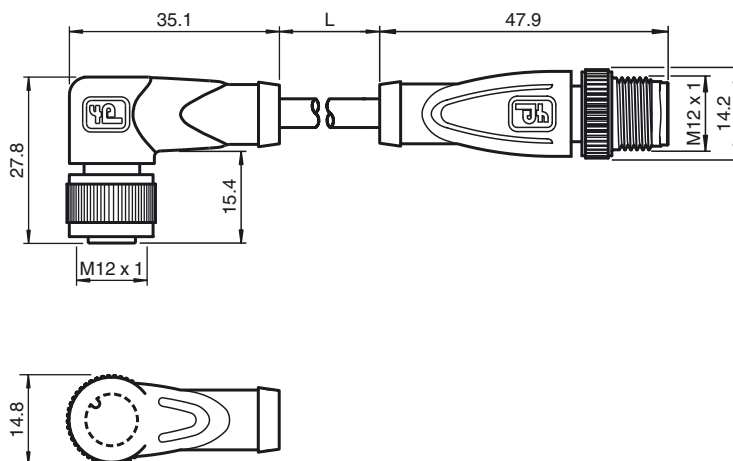


Dimensions



Model Number

V11-W-8M-PUR-V11-G
 Connecting cable, M12 to M12, PUR cable 3-pin

Features

- Knurled nut suitable for tool assembly
- Immunity to vibration, with mechanical latching
- Gold-plated and machined contacts
- Degree of protection IP67 / IP68 / IP69K
- Halogen-free
- Suitable for 2- and 3-wire technology

Technical data

General specifications		
Number of pins		3
Electrical specifications		
Operating voltage	U_B	max. 300 V DC
Test voltage		> 1500 V _{eff} AC
Operating current	I_B	max. 4 A
Volume resistance		< 5 mΩ
Ambient conditions		
Ambient temperature		-25 ... 100 °C (-13 ... 212 °F) for temperatures over 80 °C (176 °F) reduced elongation at tear
Pollution degree		3
Mechanical specifications		
Contact elements		spring-loaded contact socket
Pin diameter		1 mm
Degree of protection		IP67 / IP68 / IP69k
Material		
Contacts		CuSn / Au
Contact surface		Au
Body		TPU, green
Cable		PUR
Slotted nut		Diecast zinc
Sleeve connector		Diecast zinc
Core insulation		PP
Cable		
Cable		fine-strand, flexible
Sheath diameter		Ø4.8 mm
Bending radius		> 10 x cable diameter, moving
Color		grey
Cores		3 x 0.34 mm ²
Conductor construction		19 x 0.15 mm Ø
Length	L	8 m
Flammability		
Contact carrier		94 V-2
Housing		94 V-2

Electrical connection



Release date: 2016-04-05 15:08 Date of issue: 2016-04-28 240776-0027_eng.xml